



Small tables in solid scented cedar, available in two diameters, machined from a section of a tree trunk, highlighting the typical concentric rings of the tree.

**STANDARD VERSION: ON WHEELS, RECESSED UNDERNEATH**  
 DIAMETER TOLERANCE: +/- 10 CM

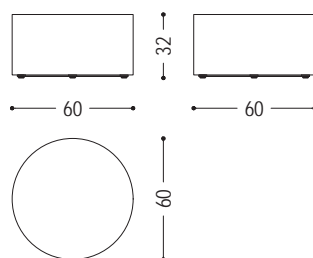
CODE	SIZE	A7	A9
NATURA-ECO1	Ø 60 x H.32	■	■
NATURA-ECO2	Ø 90 x H.32	■	■

**AVAILABLE FINISHES:**

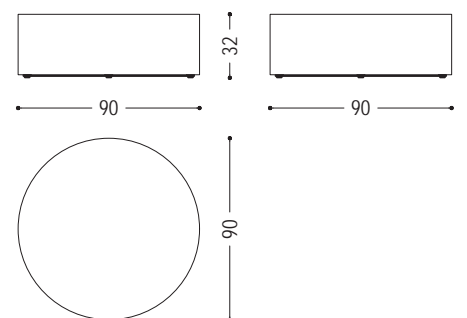
**A7:** cedar

**A9:** cedar contract finish, vulcano cedar

NATURA-ECO1



NATURA-ECO2



## WOOD

A7



cedarwood

A9



cedarwood contract finish



vulcano cedarwood